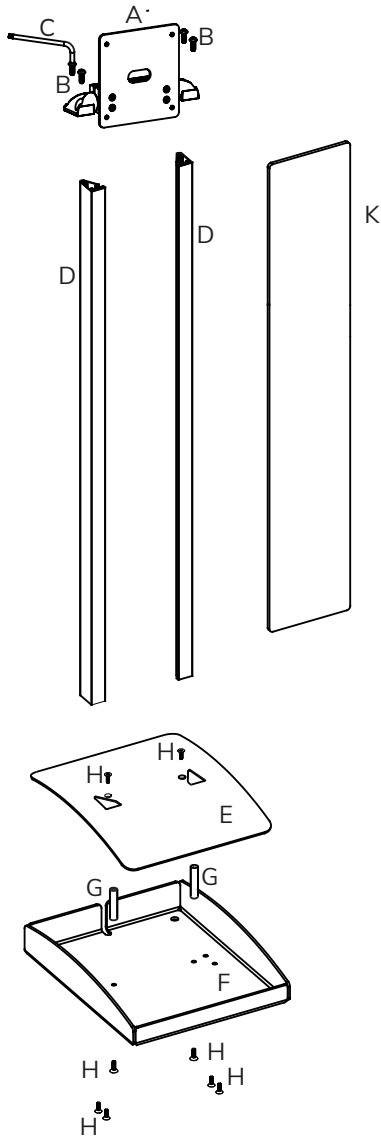
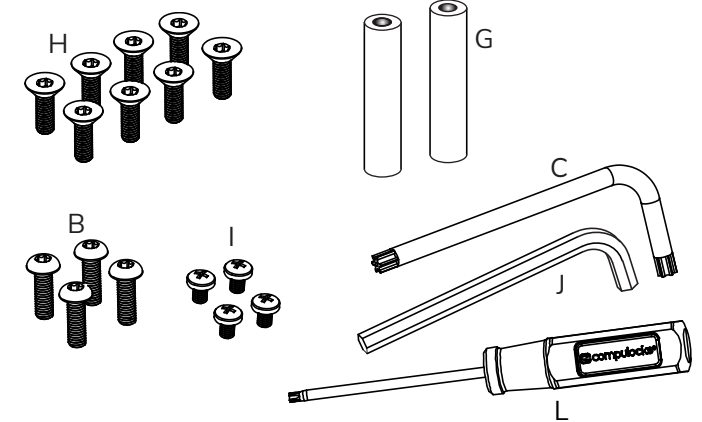


Exploded View



Item	Description	Qty
A	Top End Assembly	1
B	M5 x 20mm Button Head Torx	4
C	T-25 Torx L-Wrench	1
D	Upright Extrusion	2
E	Base Cover	1
F	Base	1
G	M5 x 40mm Round Spacer	2
H	M5 x 20mm Flat Head Torx	8
K	Graphic Panel	1
L	T-25 Screwdriver	1

Hardware Kit



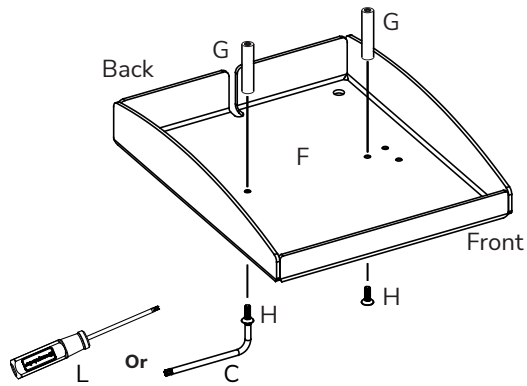
Item	Description	Qty
B	M5 x 20mm Button Head Torx	4
C	T-25 Torx L-Wrench	1
G	M5 x 40mm Round Spacer	2
H	M5 x 20mm Flat Head Torx	8
I	M4 x 8mm Button Head Phillips	4
J	M5 Hex Wrench	1
L	T-25 Screwdriver	1

Before Getting Started

If you plan on a constant power connection to your Tablet, you will need to obtain a longer USB cable, allowing you to route the cable through the Upright Extrusion.

You will also need a AC Power Cord to connect to a Power Cube, These Cables are not supplied with the Stand.

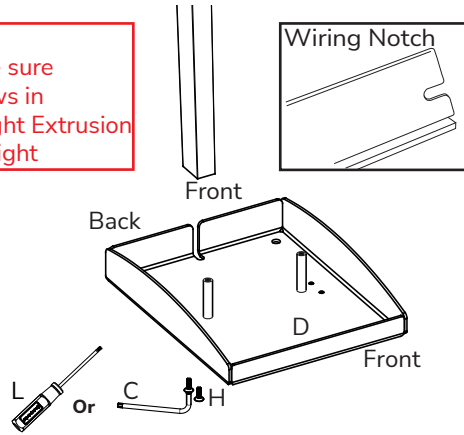
1



Install the two Round Spacers (G) using two of the M5 x 20mm Flat Head Screws (H) tighten using T-25 Torx Wrench.

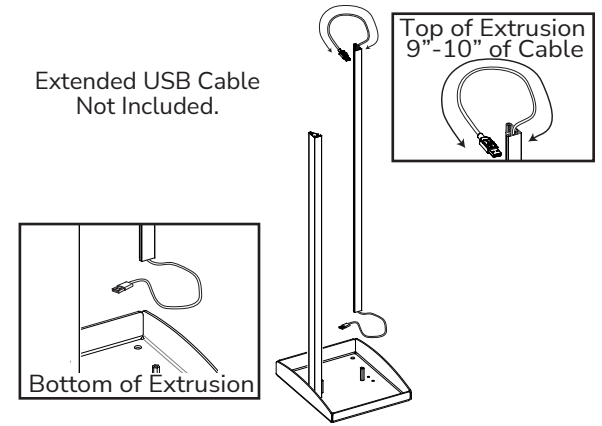
2

Note:
 Make sure
 screws in
 Upright Extrusion
 are Tight



Locate the Upright Extrusions (D). Make sure extrusion has the flat edge facing forward. Install the M5 X20mm Flat Head Torx Screws (H) tighten using T-25 Torx Wrench (C).

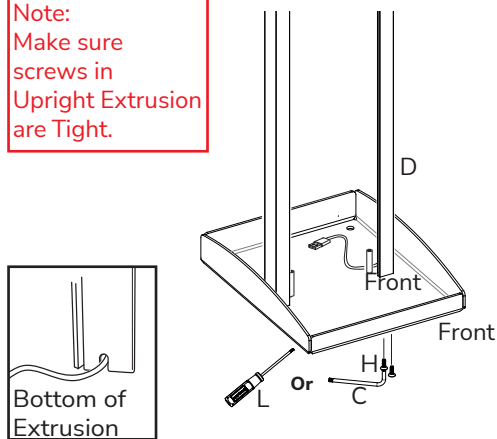
3



Prior to installing Upright Extrusion route USB Extended USB cable into extrusion. Leave 9-10" of cable at the top of the extrusion.

4

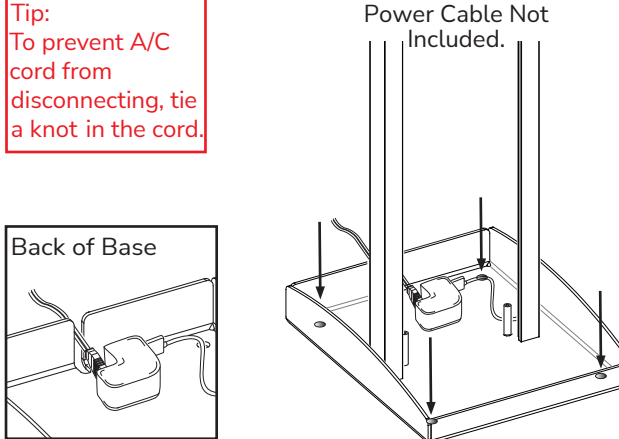
Note:
 Make sure
 screws in
 Upright Extrusion
 are Tight.



Install the Upright Extrusion (D) using M5X20mm Flat Head Torx Screws (H) tighten using T-25 Torx Wrench (C).

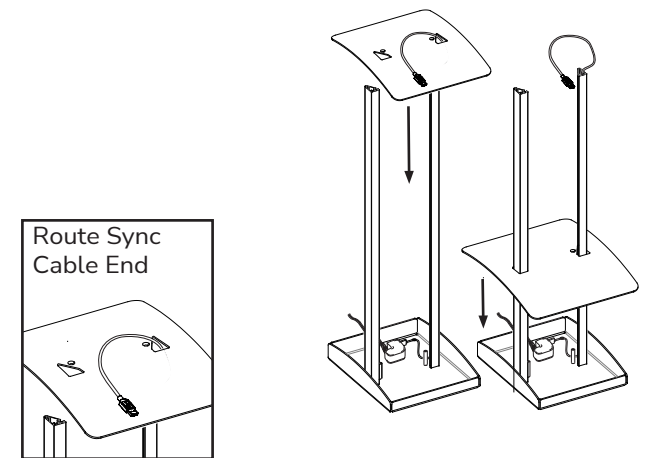
5

Tip:
 To prevent A/C
 cord from
 disconnecting,
 tie a knot in the cord.



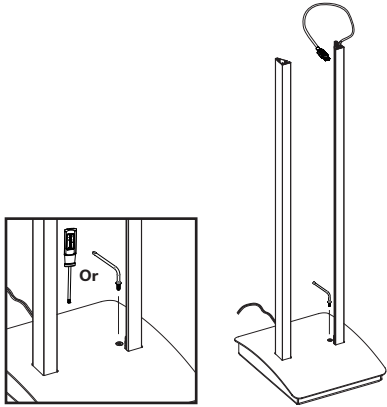
Route USB cable and plug into charging cube. Four 3/8" holes provided in the base for Floor Mounting

6



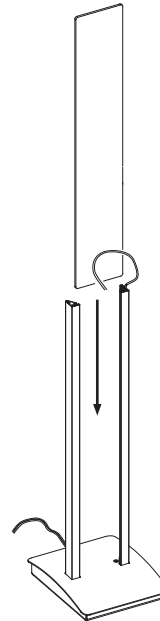
Route USB cable through Base Cover (E) as shown.

7



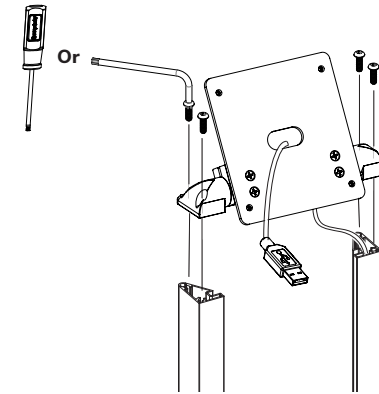
Secure Base Cover with M5 X 20mm Flat Head Torx Screw (H) using T-25 Torx Wrench(C).

8



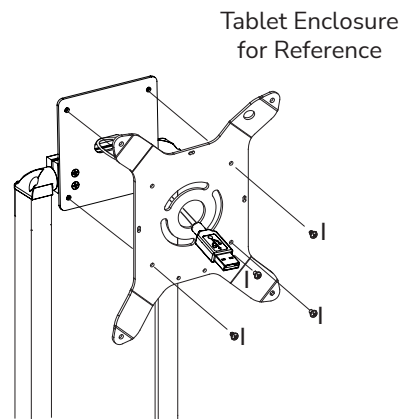
Install Graphics panel (K) as shown.

9



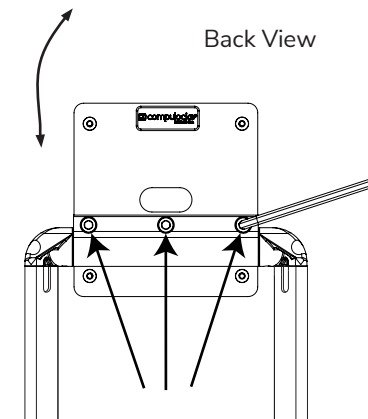
Install Top End Assembly (A) using M5 X 20mm Button Head Torx Screws (B), securing with T-25 Torx Wrench (C).

10



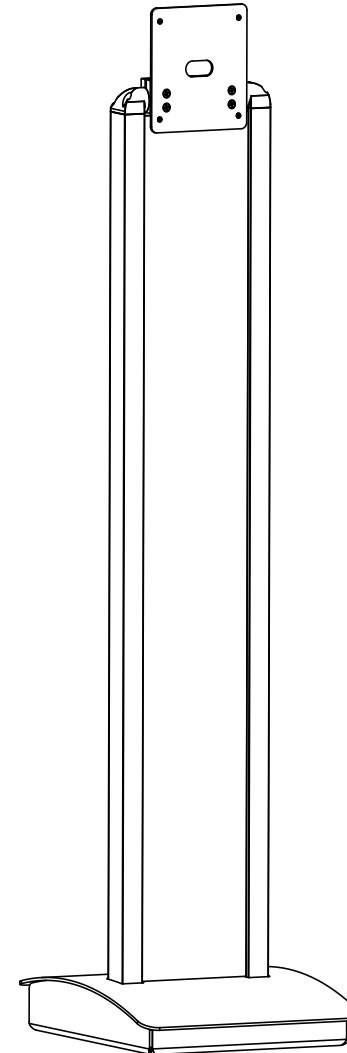
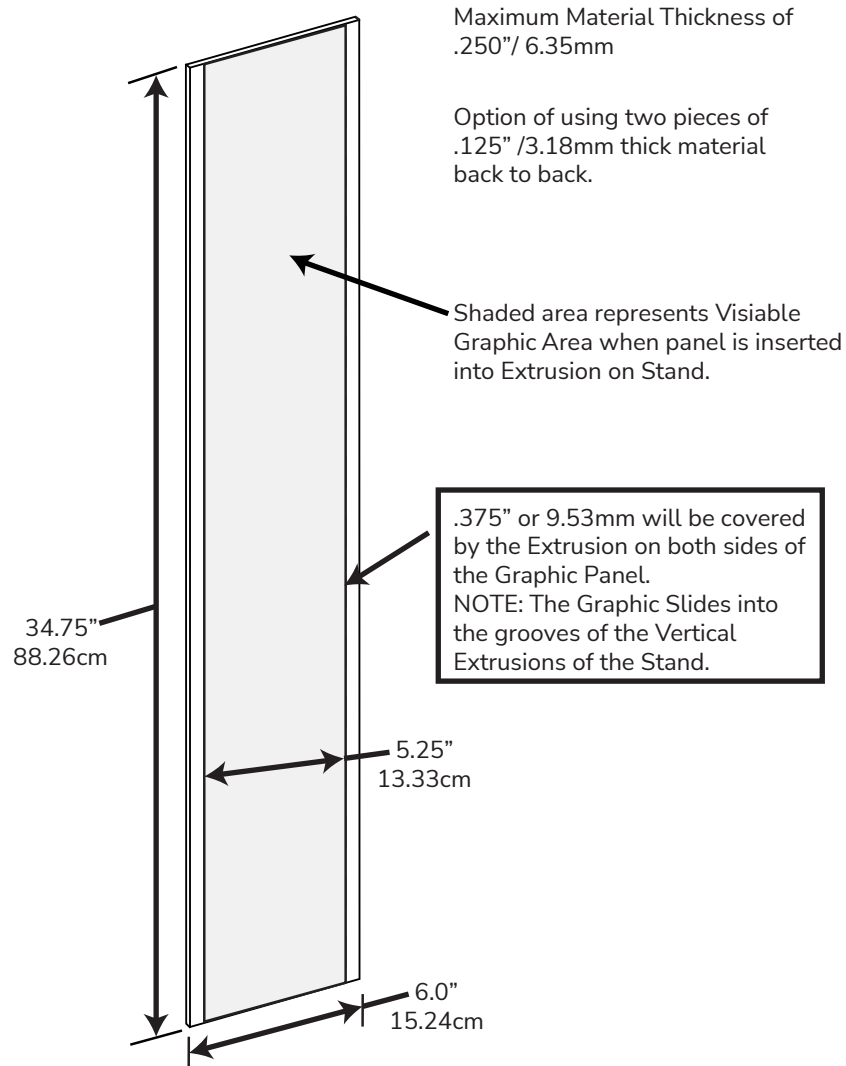
Tablet Enclosure mounts to 100mm mounting pattern. Use M4 x 8mm Button Head Phillips (I) to attach Enclosure.

11



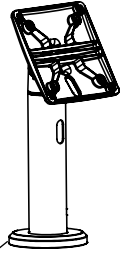
Adjust Tilt Tension by accessing the three screws on the back of the Top End Assembly. Use M5 Hex Wrench (J) to adjust screws.

Graphic Panel Specifications

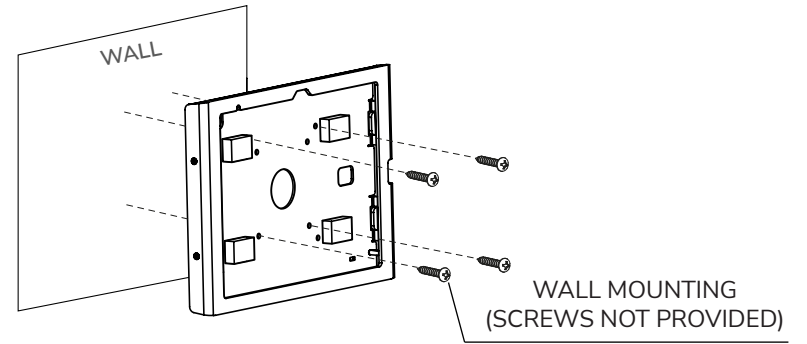


Mounting options

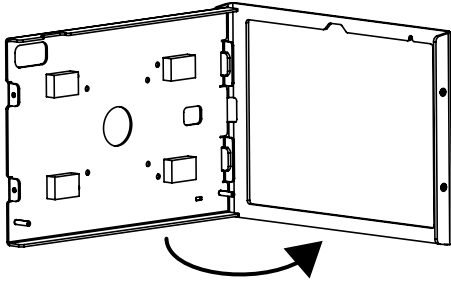
FOLLOW STAND
MOUNTING INSTRUCTIONS
(SUPPLIED WITH STANDS)



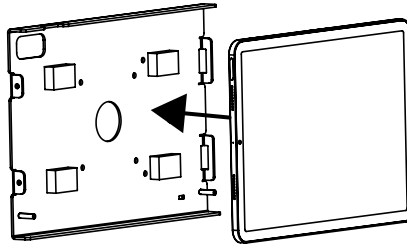
Or



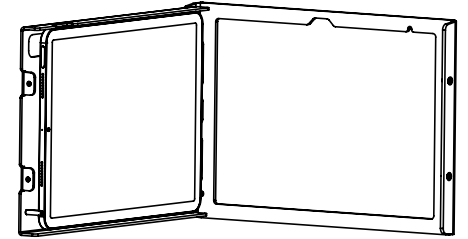
1



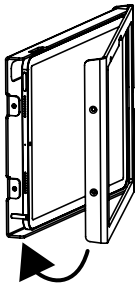
2



3

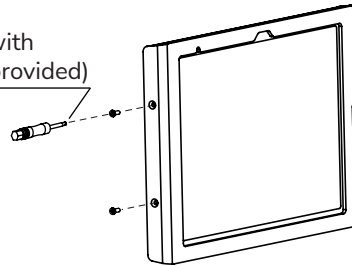


4

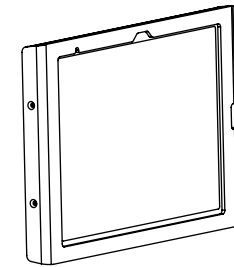


5

Secure with
M3 screws (provided)



6



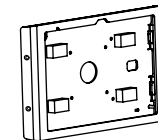
IN THE BOX



Torx Screwdriver



M3x10mm tamper proof screws



Swell enclosure