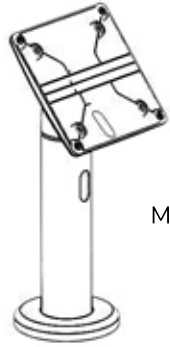
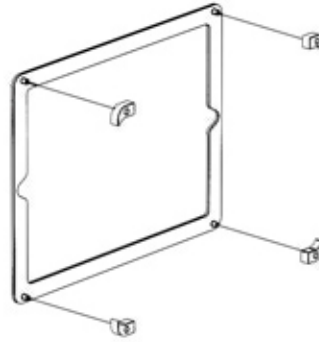


1

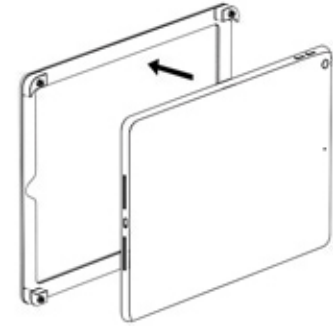


FOLLOW STAND
MOUNTING INSTRUCTIONS

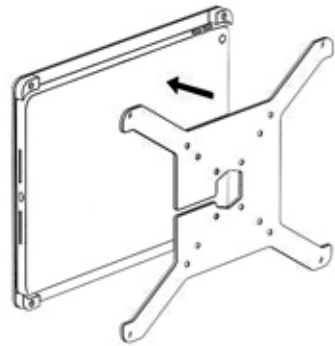
2



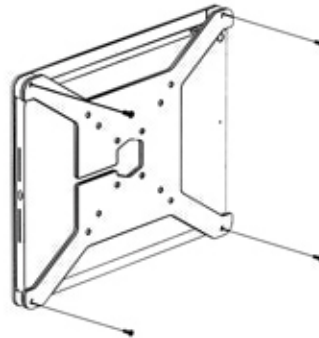
3



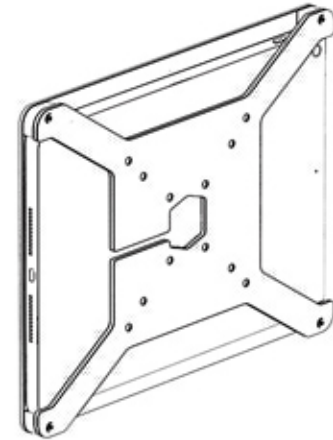
4



5



6



IN THE BOX



Screwdriver



X4

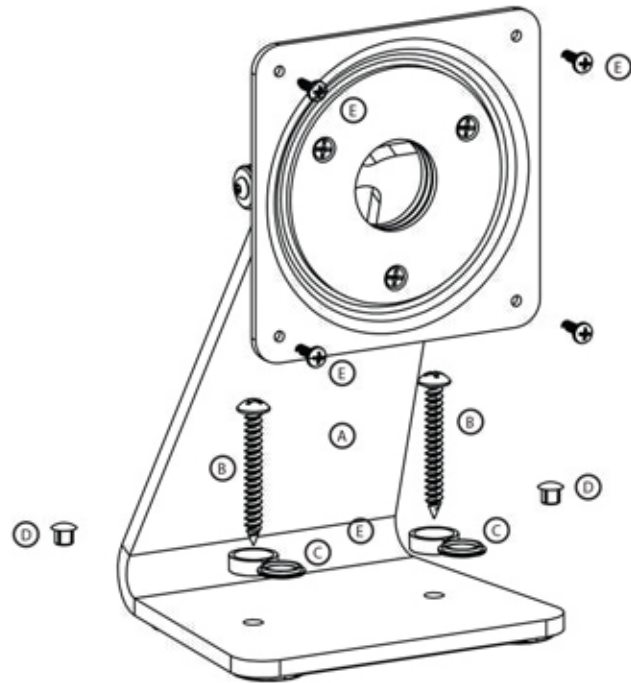
Tamper proof screws



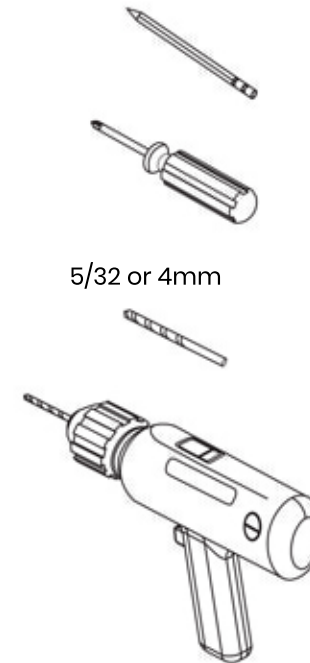
X4

Plastic Corners

Exploded View



Recommended Tools

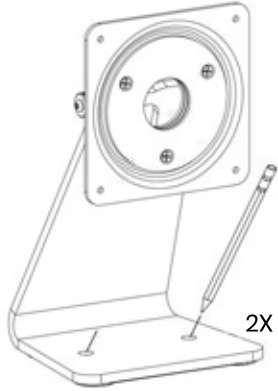


Parts List

	ITEM	QTY
A	Universal Counter Stand Assembly	1
B	#14 x 2" Phillips Sheet Metal Screw	2
C	Plastic Screw Cover	2
D	Plastic Hole Plug (installed at factory - remove for mounting)	2
E	M4 x 8mm Phillips Head Screw	4

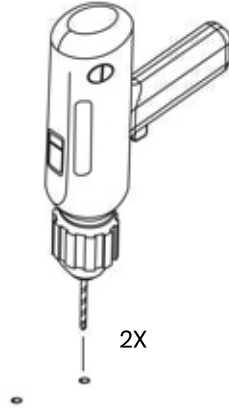
Table Top Mounting

1



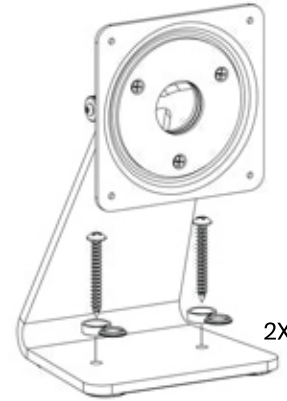
Mark holes

2



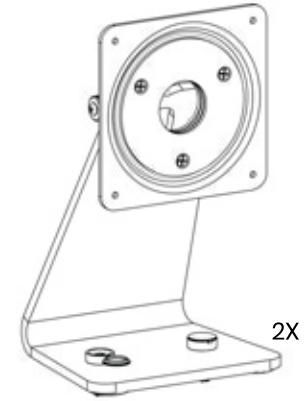
Drill holes with 5/32" drill bit
2" deep

3



Install plastic screw caps and
screws

4



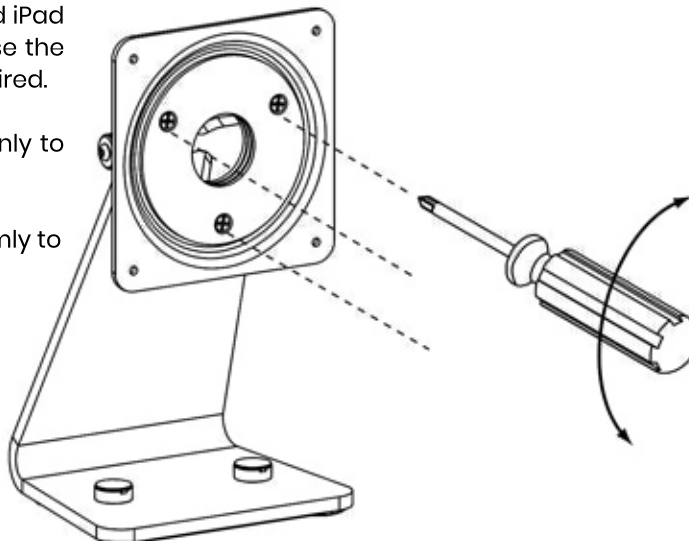
Snap plastic screw caps shut

Adjust Tension and Position

Before Installing selected iPad Holder you can increase the rotational friction if desired.

Adjust all 3 screws evenly to desired tension.

Tighten all 3 screws Firmly to "Lock" in Position if no movement is desired.



Enclosure Mounting

